

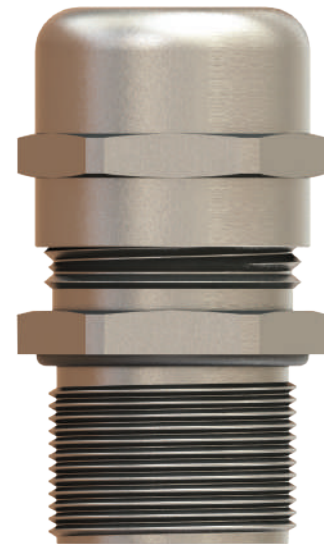
Cable Glands for Railway Applications, EMC 4, Brass

EMC 4 railway cable glands with lamellar clamping

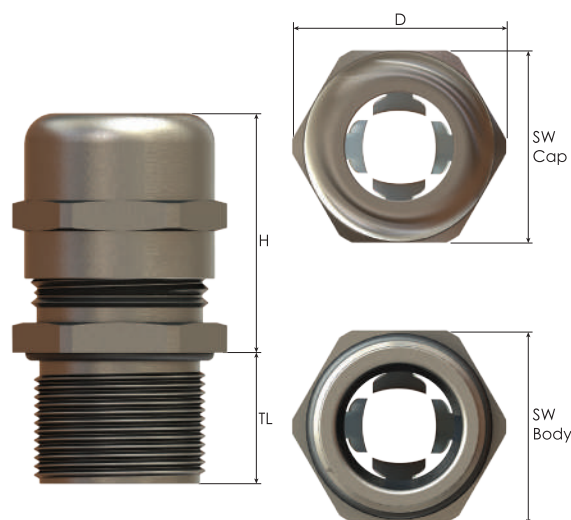
- For railway applications.
- Vibration proof EMC performance.
- Long-lasting contact by high definition contact spring.
- Moving spring contact offers reduced risk of sheath damage.
- Easy assembly and disassembly of cable. Spring closes and opens according to fastening of the cap.
- Easy movement of cable as long as not fastened.
- High quality strain relief and sealing, reliable performance for EMC applications.
- Up-to-date international approvals.

Technical Details

Body, Cap	Brass, Brass Nickel Plated
Seal	EPDM
Material Clamping Insert	PA 6 (Polyamide 6)
Contact Spring	Special Copper Alloy
O-ring	EPDM
Ingress Protection Rating	IP 68 - 5 Bar, 30 min IP 66
Flammability	R22 acc. to EN45545-2 R23 acc. to EN45545-2 HL2 acc. to EN45545-2 HL3 acc. to EN45545-2
Approvals	• The raw material of the products has CURRENTA Approval in conformity with EN 45545-3.
Operating Temperature	Seal Material Permanent -40°C to +100°C
Thread Type	Metric (M) EN 60423 NPT (N) ANSI ASME B1.20.1
Accessories	• Lock nuts
Remarks	• We recommend the use of lock nuts and gaskets to ensure IP rating for rough surfaces or through holes. • Accessories must be ordered separately.



Order Coding			
Part Number	-	Gasket (Washer)	Lock Nut
Mandatory	-	Option	Option
See table	-	WC Chloroprene WS Silicone	L Lock nut
Example			
R-BMEM-E2S (M20T)	-	WC	L



Cable Glands for Railway Applications, EMC 4, Brass

Thread Type **METRIC** acc. to EN 60423

Outer Thread Size (Male)	Clamping Range Ø min-max mm	Shield Diameter Ø min-max mm	Outer Thread Length TL mm	Spanner Width		Outer Ø D mm	max. Height H mm		Part Number	Minimum Order Quantity
				Cap SW Cap mm	Body SW Body mm					
M12x1,5	3,0 - 6,5	2,0 - 5,0	6,0	14	14	15,5	30,0	R-BMEM-ES (M12T)	600	
M16x1,5	5,0 - 10,0	3,5 - 8,0	6,0	20	20	22,0	35,0	R-BMEM-E1 (M16T)	600	
M20x1,5	6,0 - 12,0	4,5 - 10,0	6,0	22	22	24,5	33,5	R-BMEM-E2S (M20T)	300	
	7,5 - 14,0	5,5 - 11,5	8,0	24	24	26,8	41,5	R-BMEM-E2 (M20T)	300	
M25x1,5	10,0 - 18,0	7,0 - 14,0	8,0	30	30	33,0	44,5	R-BMEM-E3 (M25T)	180	
M32x1,5	16,0 - 25,0	12,0 - 20,0	9,0	40	40	44,5	55,0	R-BMEM-E4 (M32T)	60	
M40x1,5	22,0 - 32,0	18,0 - 27,0	9,0	50	50	55,5	62,5	R-BMEM-E5 (M40T)	50	